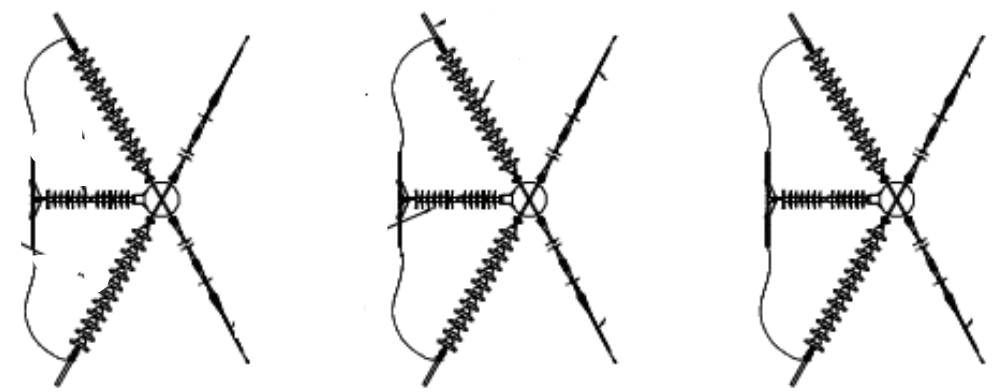
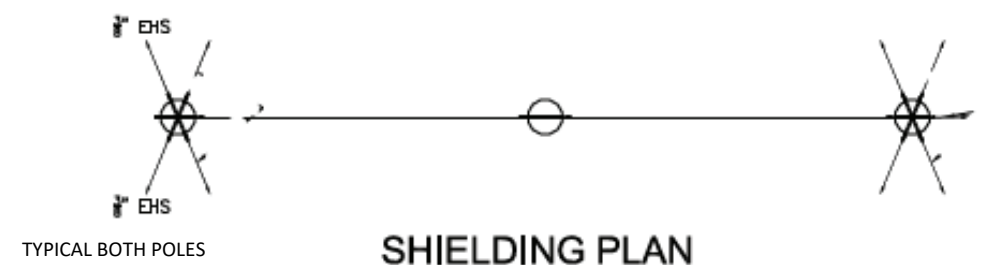


**ELEVATION**

LEFT TURNING STRUCTURE POLE SPACING:  
14' (Typical)  
16' (Large Angles)

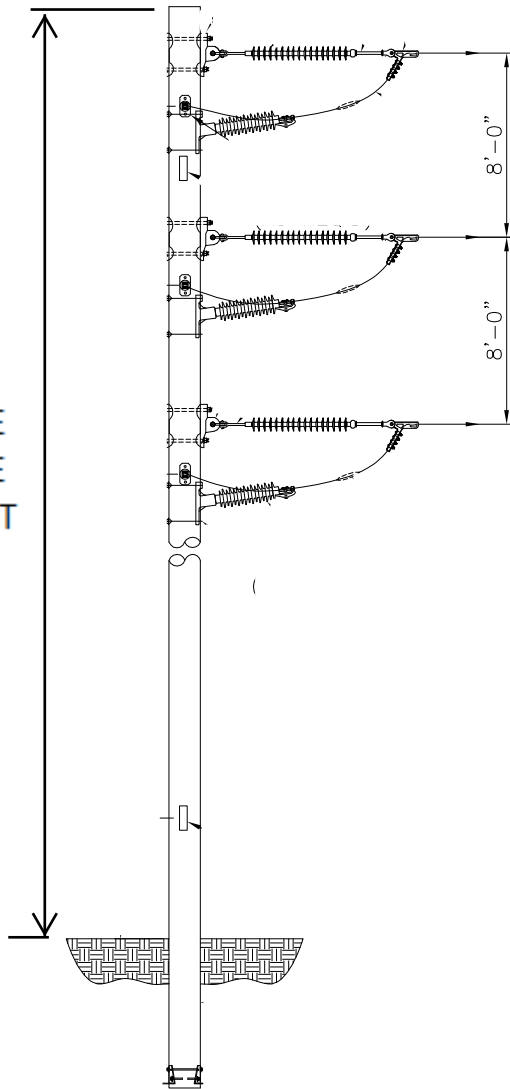


ESTIMATED 115KV LINE DEAD-END STRUCTURE ABOVE GRADE HEIGHTS:	
K30-3 Line: New Str. 1	60 ft.
K30-3 Line: New Str. 2	60 ft.

REV	DATE	DR	CK	DESCRIPTION
<b>VELSO</b>				VERMONT ELECTRIC POWER CO., INC. RUTLAND, VERMONT
115KV CONSTRUCTION SINGLE CIRCUIT STEEL 3-POLE CORNER DEADEND TYPE "DA" ANGLES				
SCALE: AS SHOWN		DRAWN BY:		APPROVED BY:
DATE:		CHECKED BY:		DATE:
DRAWING NUMBER:		115-9.6		0
PLOT: 1=1				REV.

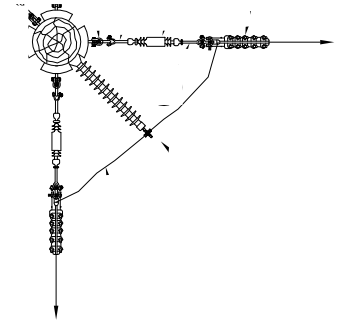
FILE: 115-9.6.dwg

ABOVE  
GRADE  
HEIGHT



ELEVATION VIEW

GUYS NOT SHOWN; NOT  
USED ON ALL STRUCTURES.



PLAN VIEW

JUMPER INSULATOR  
POSTS SHOWN OPTIONAL  
BASED ON LINE ANGLE

ESTIMATED 46KV LINE DEAD-END  
STRUCTURE ABOVE GRADE HEIGHTS:

TL37 Line: New 1-X	50 ft.
TL60 Line: Relocated P576	50 ft.
TL61 Line: Relocated P3	50 ft.

Typical Assembly Sketch  
Vertical Dead End Structure