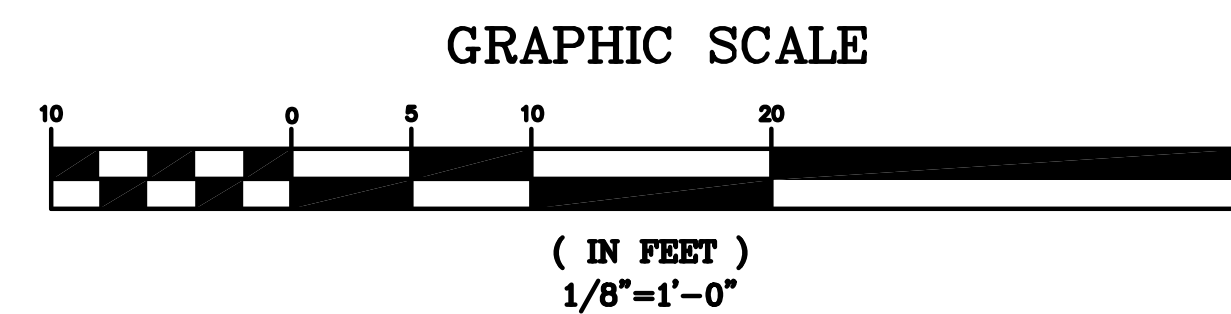
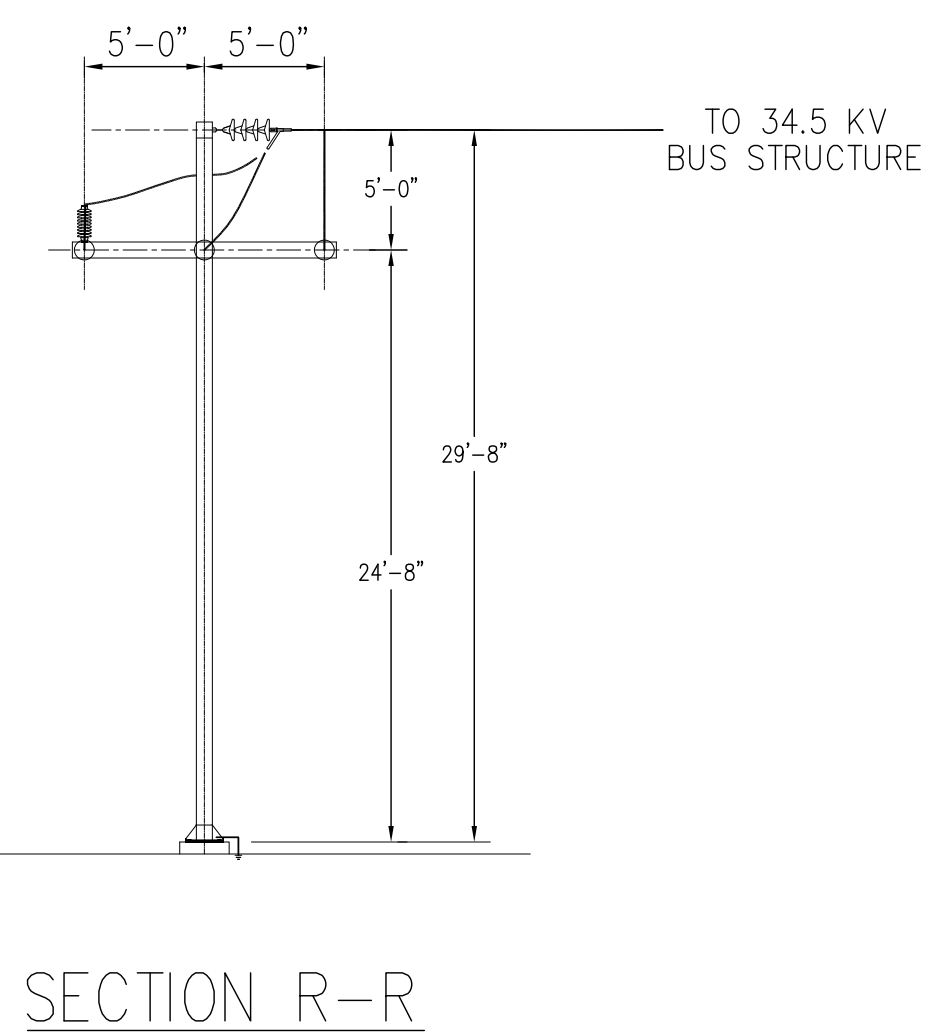
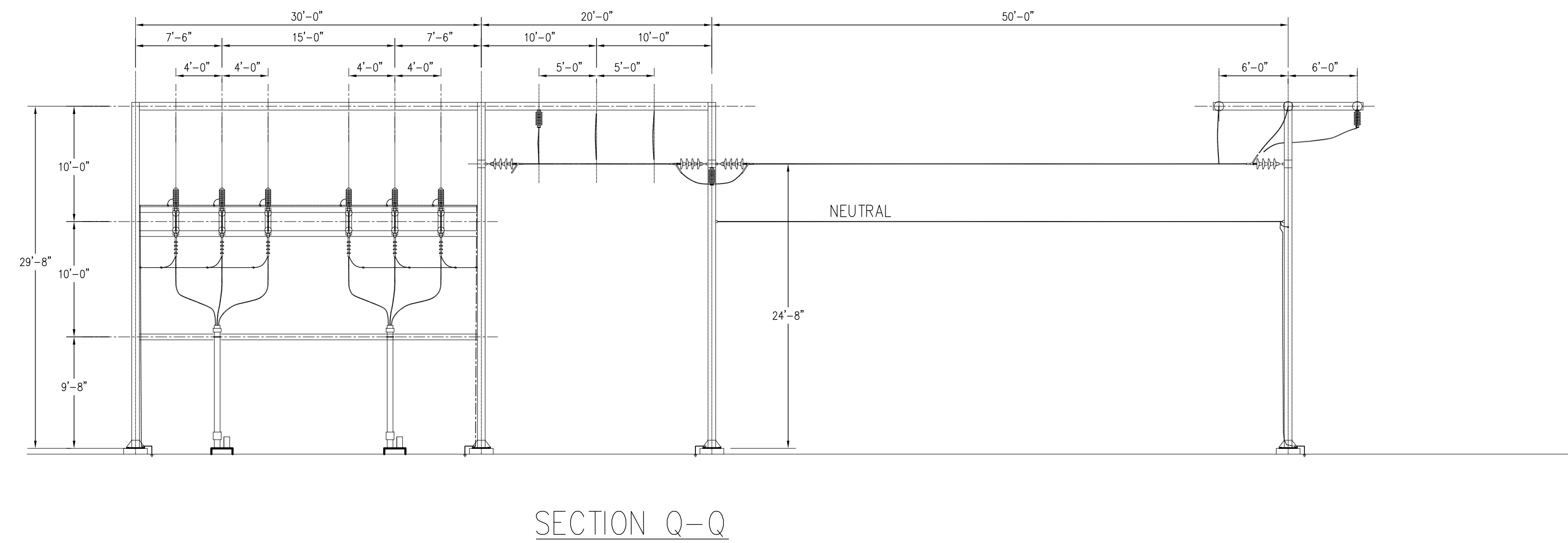
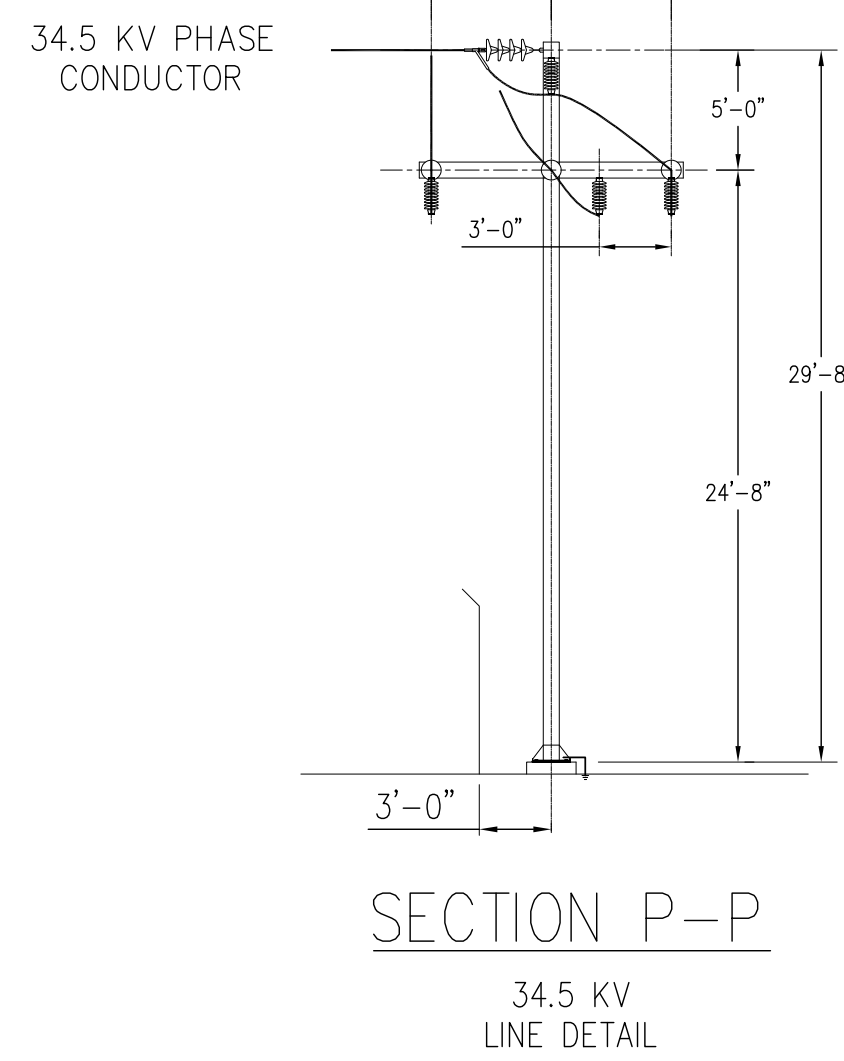
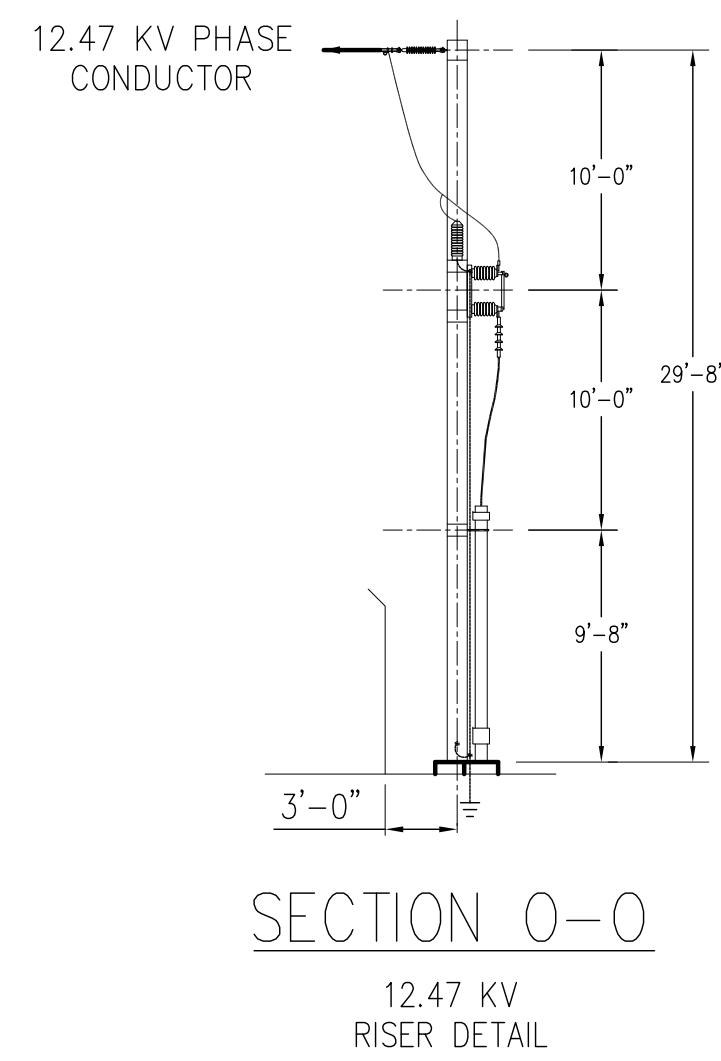
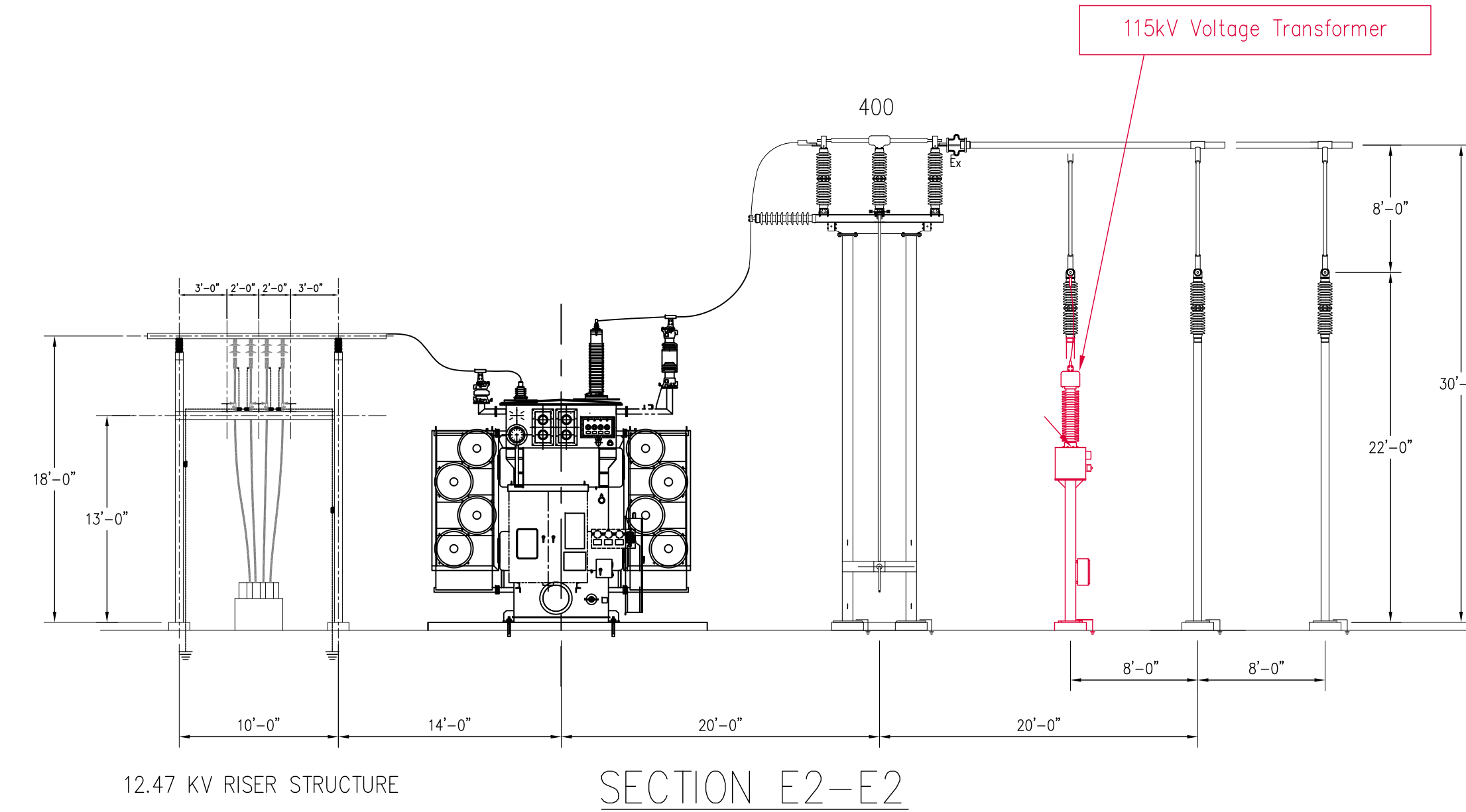
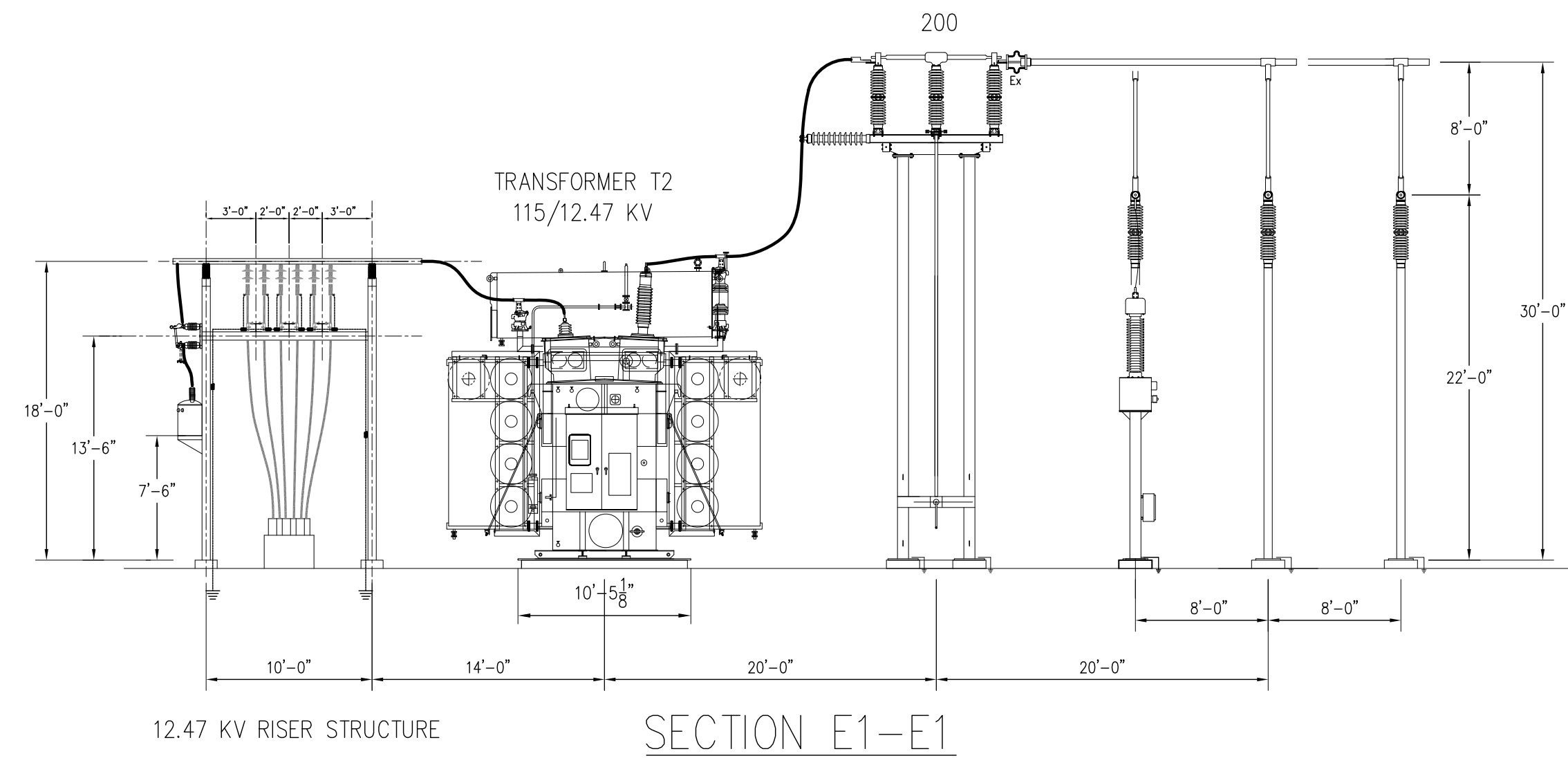
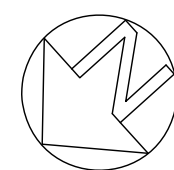
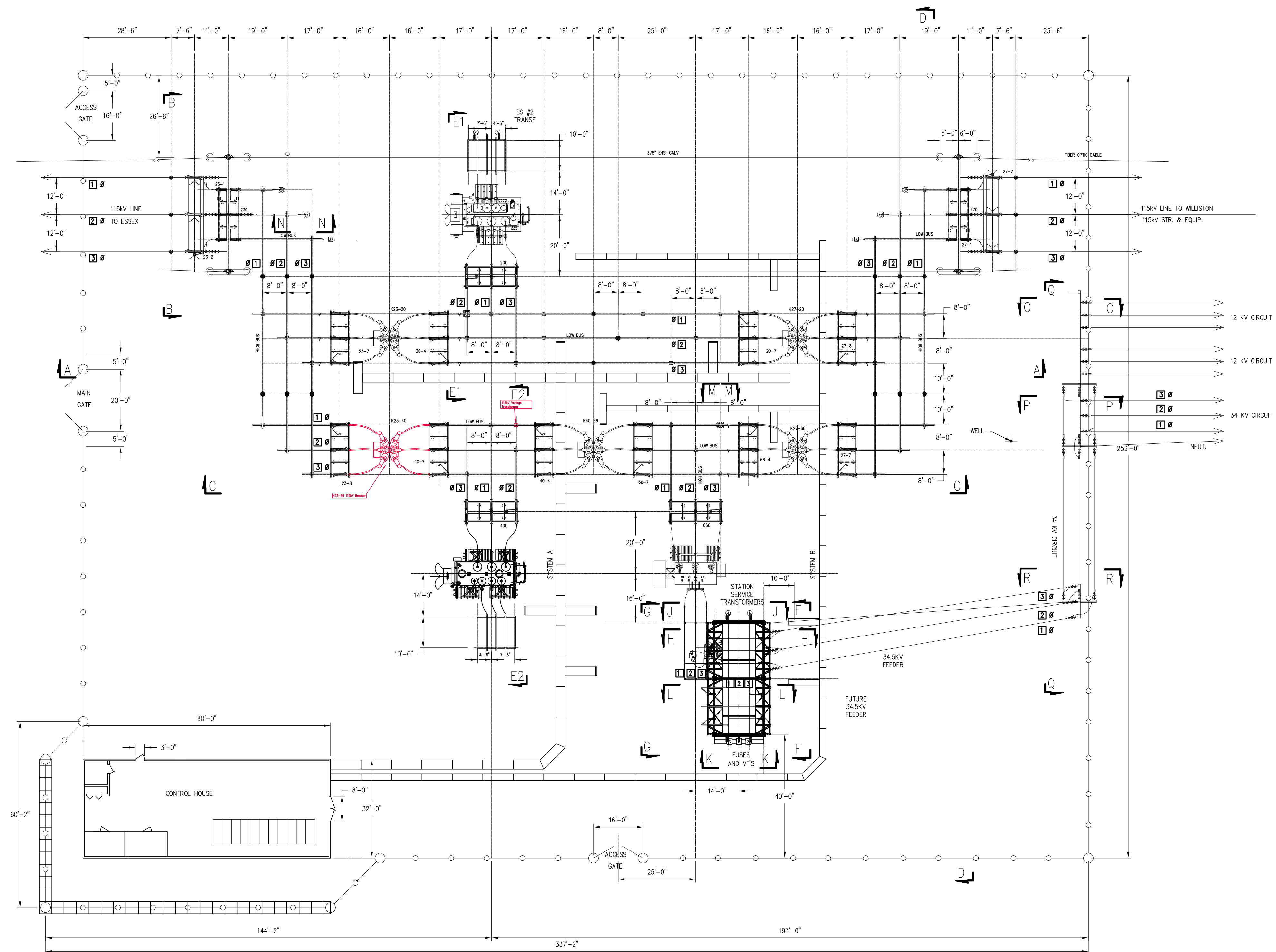


Exh. Petitioner EJM-4

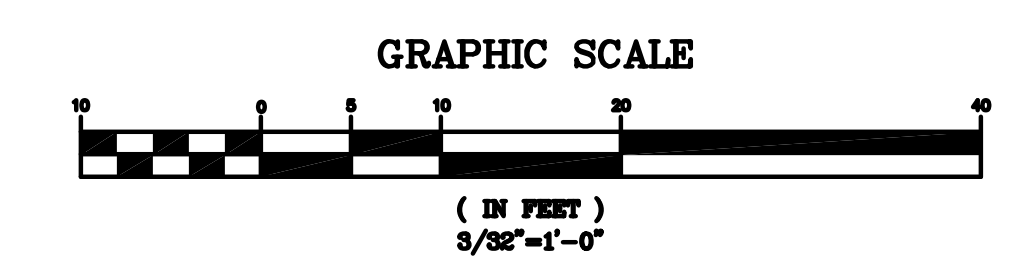
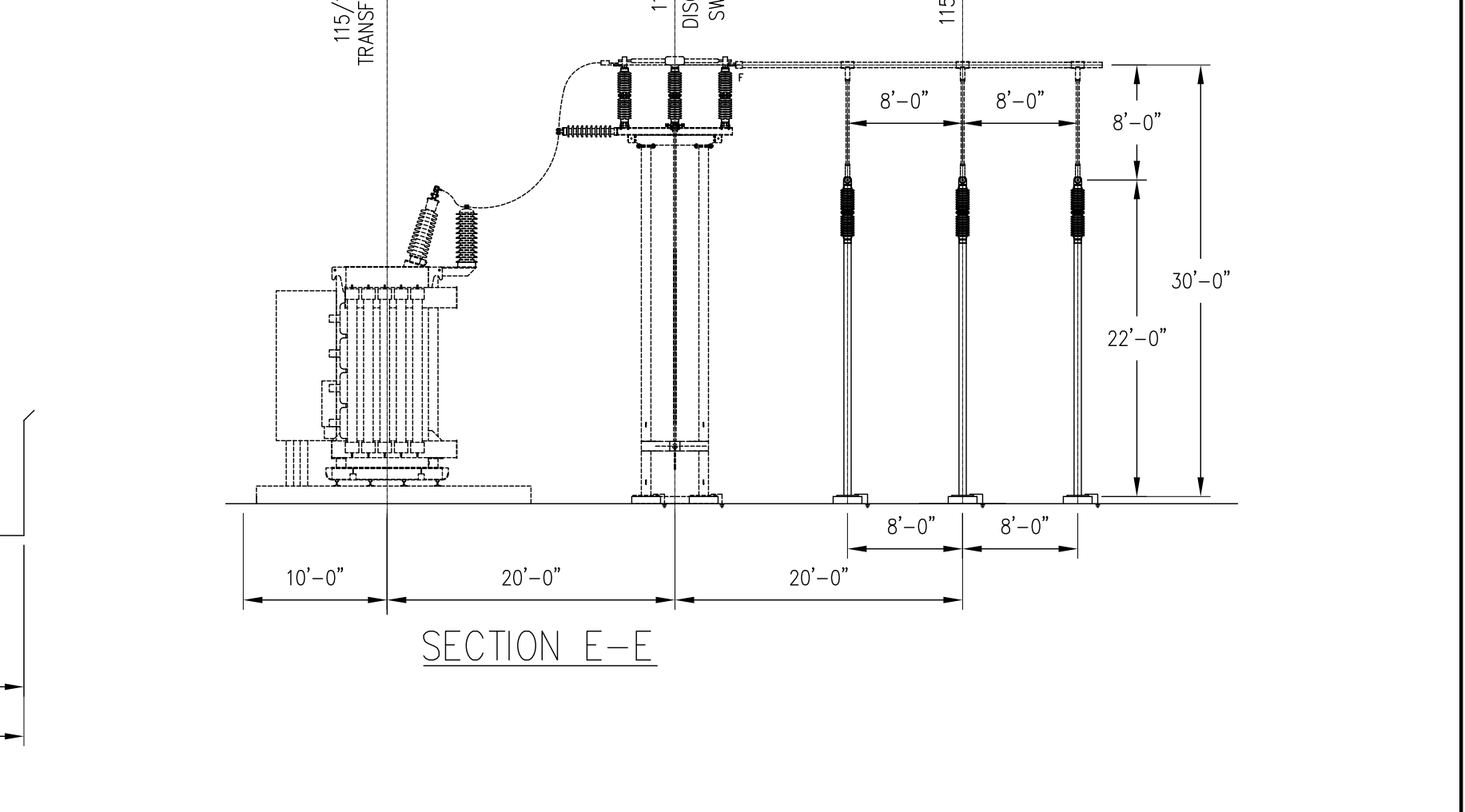
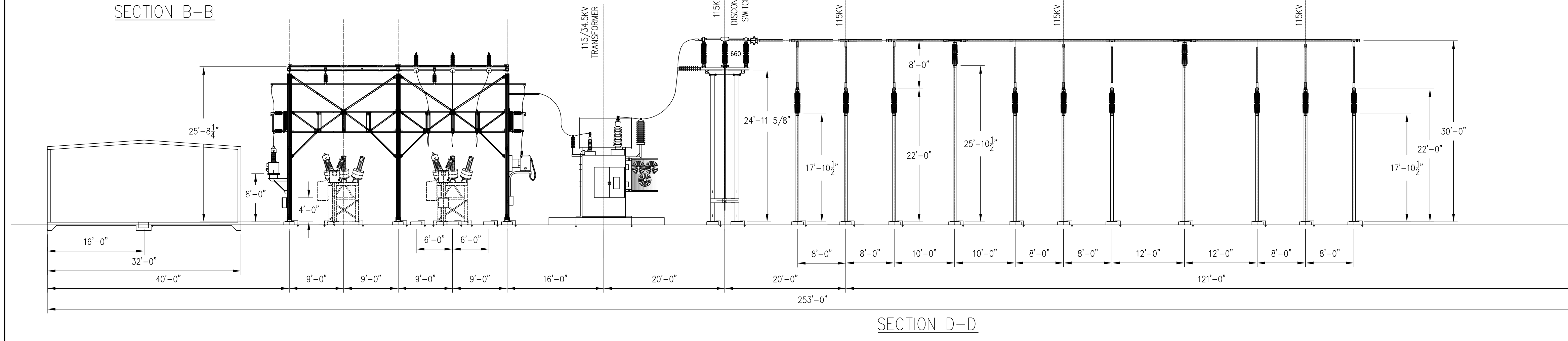
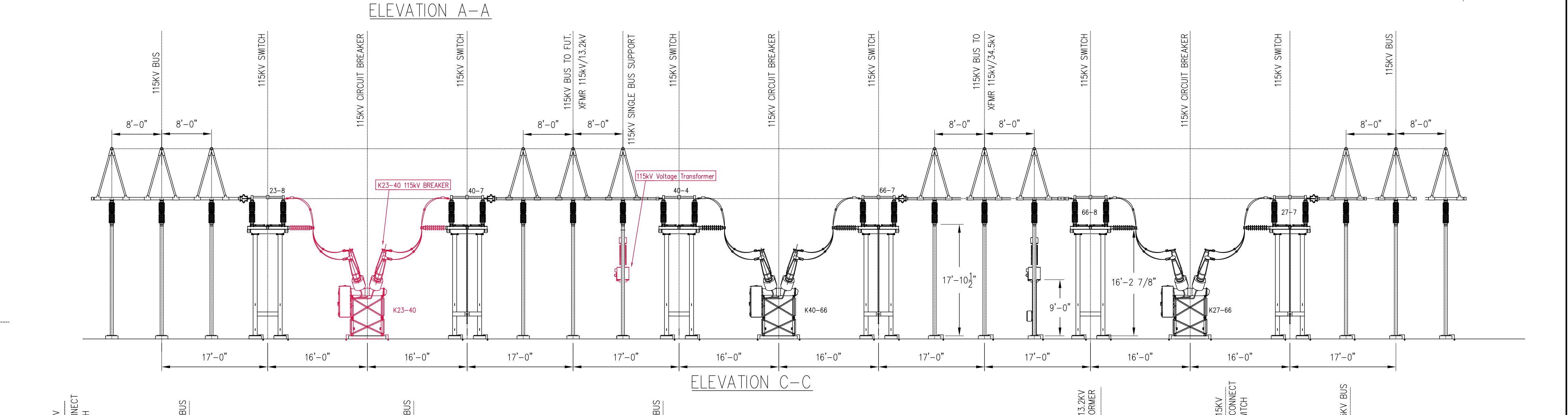
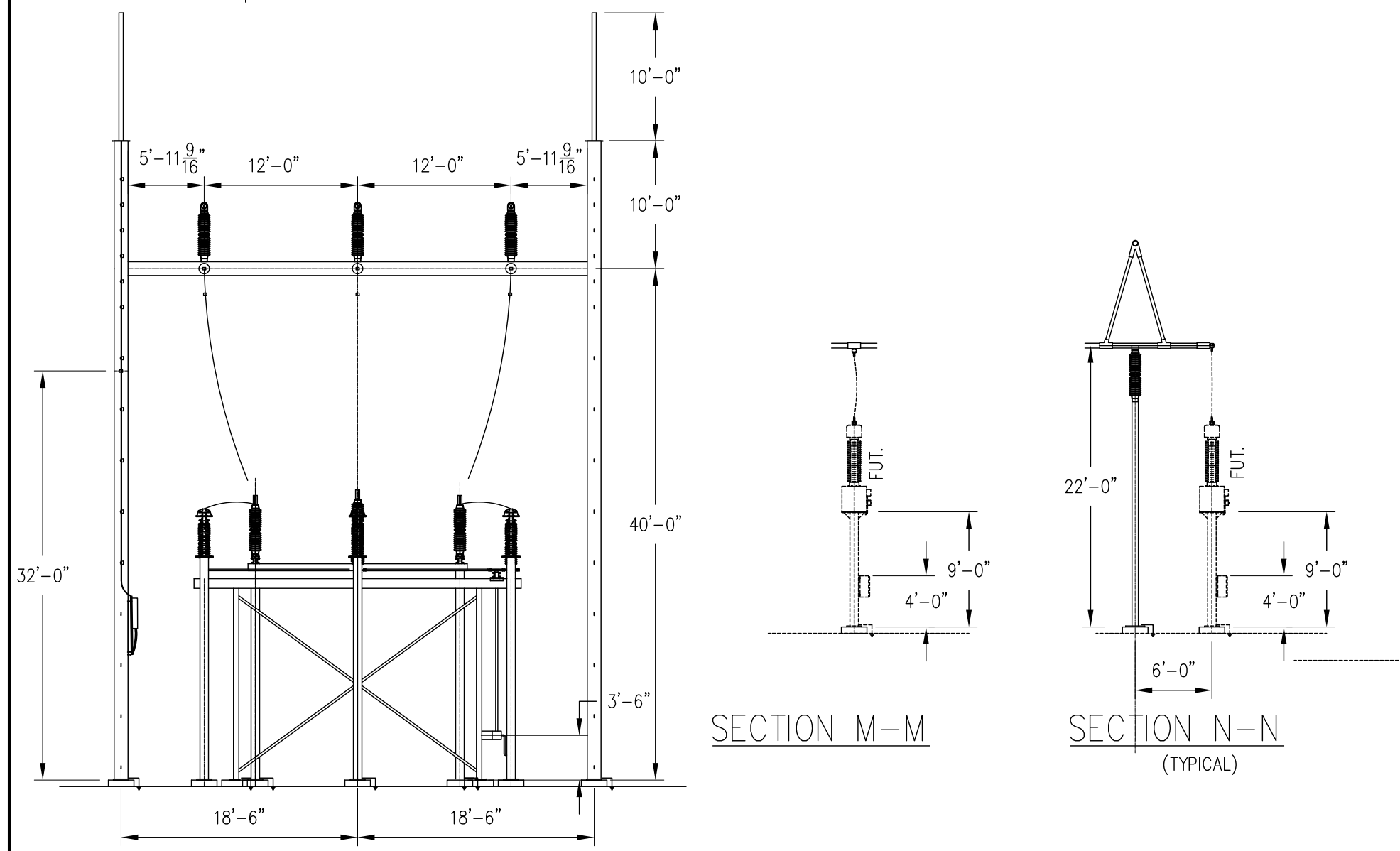
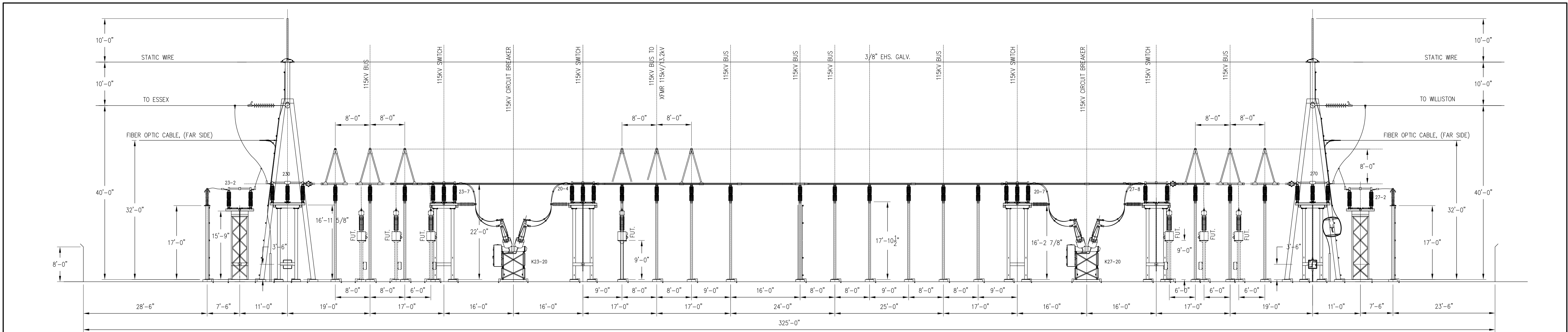


2	08.31.23	MRS JWK	ISSUED FOR PERMIT
1	10.14.09	PLM MCB	AS-BUILT - PHASE II CONSTRUCTION
REV	DATE	DR	CK
			DESCRIPTION
VERMONT ELECTRIC POWER CO., INC.			
RUTLAND, VERMONT			
TAFTS CORNER SUBSTATION			
GENERAL ARRANGEMENT SECTIONS			
115/12.47 KV YARD			
WILLISTON, VERMONT			
SCALE: AS NOTED		DRAWN BY: PLM	
DATE: 12.12.07		CHECKED BY: MB	
DRAWING NUMBER:		APPROVED BY:	
PLOT: 1=1		DATE:	
		2	
		REV.	
270-6023D			FILE: 2706023D_02.DWG



4	06.31.03	MRS	JWK	ISSUED FOR PERMIT
3	7.14.17	MRS	JWK	SECURITY UPGRADE
2	10.14.09	PLM	MCB	AS-BUILT - PHASE II CONSTRUCTION
1	12.17.04	JLL	LWR	REVISED AS BUILT
0	06.18.04	JLL	LWR	STAMPED AND ISSUED FOR CONSTRUCTION
REV	DATE	DR	CK	DESCRIPTION
VERMONT ELECTRIC POWER CO., INC. RUTLAND, VERMONT TAFTS CORNER SUBSTATION GENERAL ARRANGEMENT PLAN 115/34.5KV YARD WILLISTON, VERMONT				
SCALE: 1" = 10'		DRAWN BY: JLL		APPROVED BY:
DATE: 09.05.03		CHECKED BY: DBC		DATE:
DRAWING NUMBER:		270-6000		REV.:
PLOT: 1=1				4
				REV.

FILE: 2706000



2	08.31.23	MRS	JWK	ISSUED FOR PERMIT
1	12.17.04	JLL	LWR	REVISED AS BUILT
0	06.18.04	JLL	LWR	STAMPED AND ISSUED FOR CONSTRUCTION
REV	DATE	DR	CK	DESCRIPTION
				VERMONT ELECTRIC POWER CO., INC. RUTLAND, VERMONT
				TAFTS CORNER SUBSTATION
				GENERAL ARRANGEMENT SECTIONS 115/34kV YARD WILLISTON, VERMONT
SCALE: AS NOTED		DRAWN BY: JLL		APPROVED BY:
DATE: 09/05/03		CHECKED BY: LWR		DATE:
DRAWING NUMBER:		2		REV.
PLOT: 1=1		270-6020D		