

SIDE VIEW

STRUCTURE FRAMING FOR:
 GMP-43, 44, 46, 47, 52,
 53, 57, 58, 59, 60,
 65, 66, 68, 69, 70,
 73, 78

REV	DATE	DR	CK	DESCRIPTION
B	7/09/08	ADD	BJH	RE-ISSUED FOR PSB FILING
A	6/20/08	ADD	BJH	ISSUED FOR PSB FILING



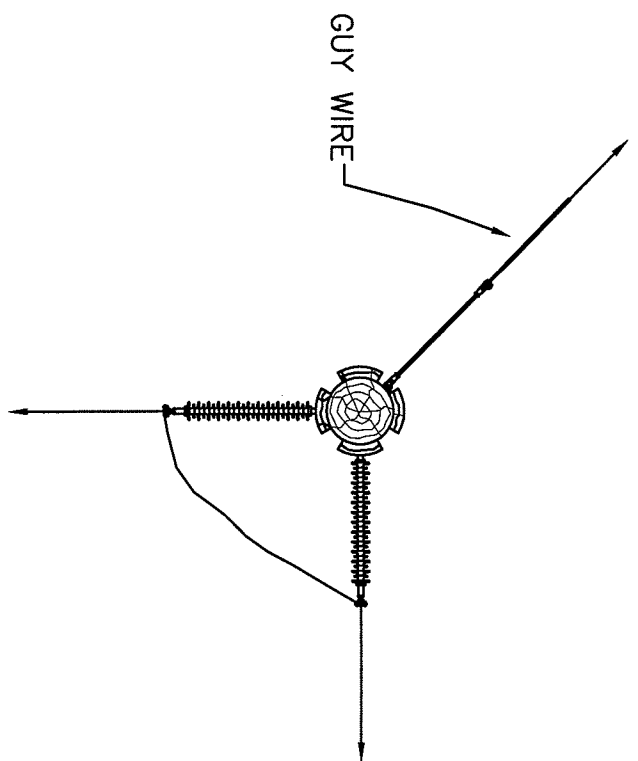
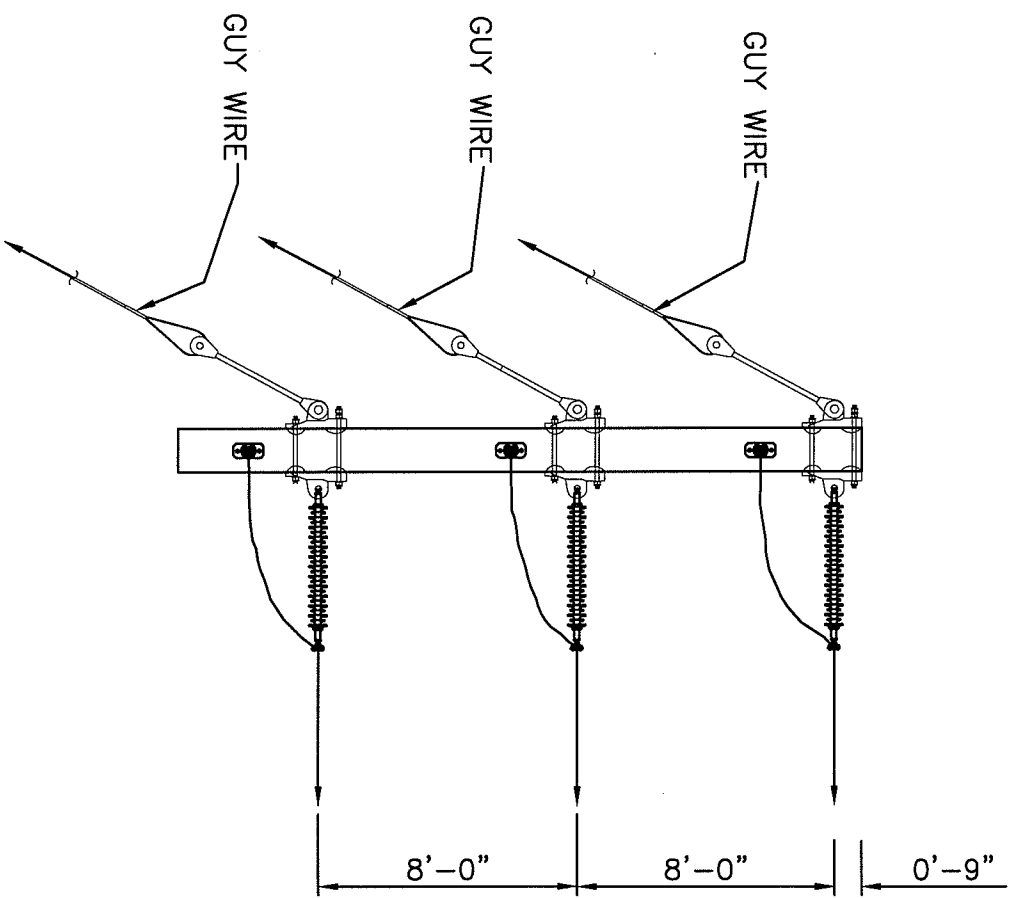
VERMONT ELECTRIC POWER CO., INC.
 RUTLAND, VERMONT
 LAMOILLE COUNTY PROJECT

34.5 KV CONSTRUCTION SINGLE CIRCUIT
 34.5 KV SINGLE CROSSARM TANGENT WOOD POLE

SCALE: NTS	DRAWN BY: BJH	APPROVED BY:
DATE: 6/20/08	CHECKED BY: ADD	DATE
DRAWING NUMBER: 34.5-SPSCT-1.0	REV. B	REV.

PROPRIETARY
 This document is the property of
 Vermont Electric Power Company, Inc.
 and contains proprietary and confidential information
 which must not be duplicated, used or disclosed other
 than as expressly authorized by
 Vermont Electric Power Company, Inc.

Uteig



STRUCTURE FRAMING FOR:
GMP-67

PLAN VIEW-TYPICAL

REV	DATE	DR	CK	DESCRIPTION
B	7/09/08	BAH	AMD	RE-ISSUED FOR PSB FILING
A	6/20/08	BAH	AMD	ISSUED FOR PSB FILING

VERMONT ELECTRIC POWER CO., INC.
RUTLAND, VERMONT
LAMOILLE COUNTY PROJECT

34.5 KV CONSTRUCTION SINGLE CIRCUIT
34.5 KV VERTICAL DEADEND

SCALE: NTS
DATE: 6/20/08
DRAWN BY: BAH
CHECKED BY: AMD
APPROVED BY:

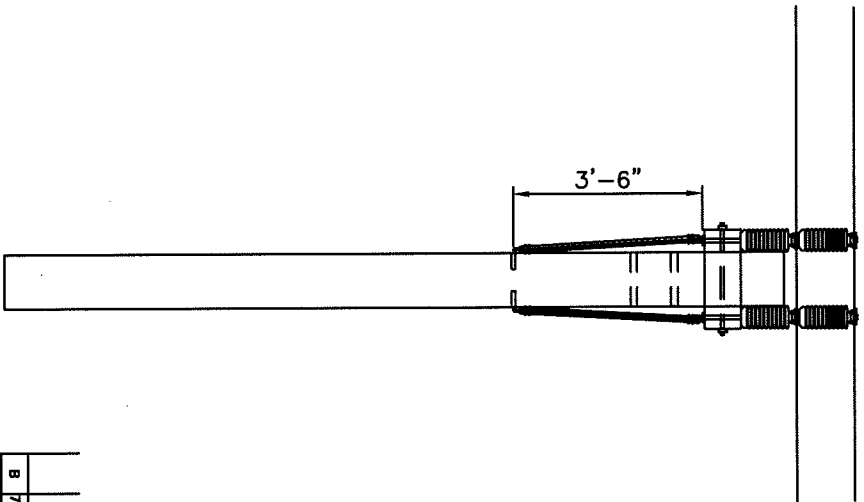
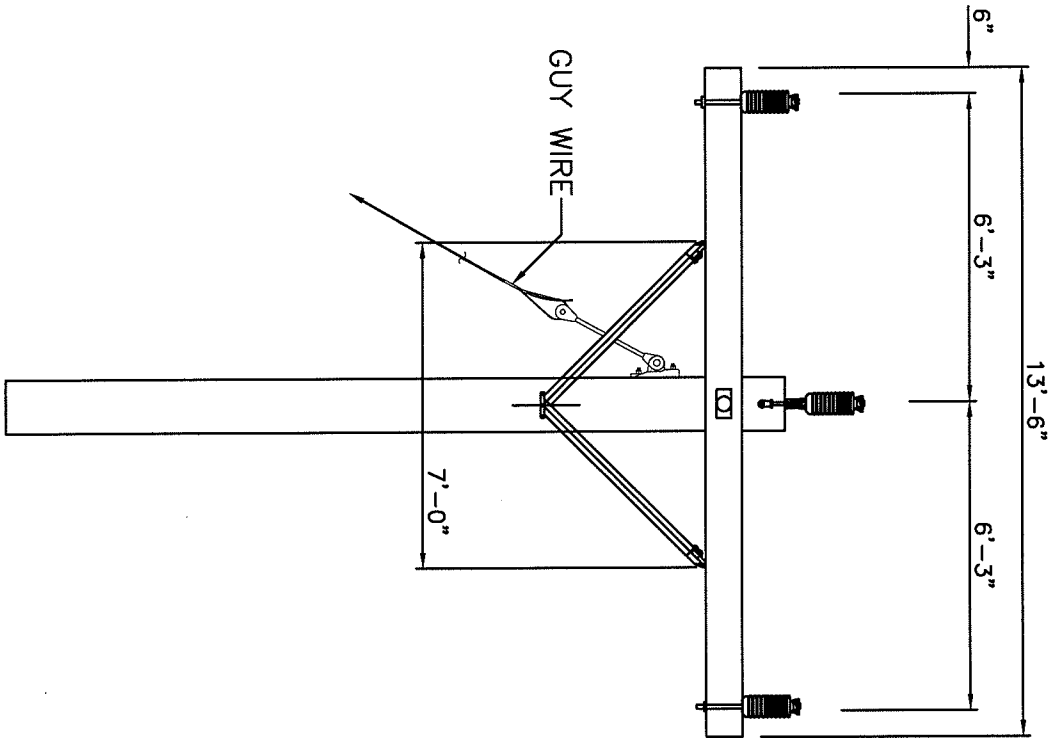
DRAWING NUMBER: 34.5-SPSCT-2.0

REV. B

FILE: 34.5-SPSCT-2.0.dwg

PROPRIETARY
This document is the property of Vermont Electric Power Company, Inc. and contains proprietary and confidential information which must not be copied, reproduced or otherwise used in any manner without the express written consent of Vermont Electric Power Company, Inc.

Uteig



SIDE VIEW

STRUCTURE FRAMING FOR:
GMP-85, 86

REV	DATE	DR	CK	DESCRIPTION
B	7/09/08	BJH	AMD	RE-ISSUED FOR PSB FILING
A	6/20/08	BJH	AMD	ISSUED FOR PSB FILING



VERMONT ELECTRIC POWER CO., INC.
RUTLAND, VERMONT
LAMOILLE COUNTY PROJECT

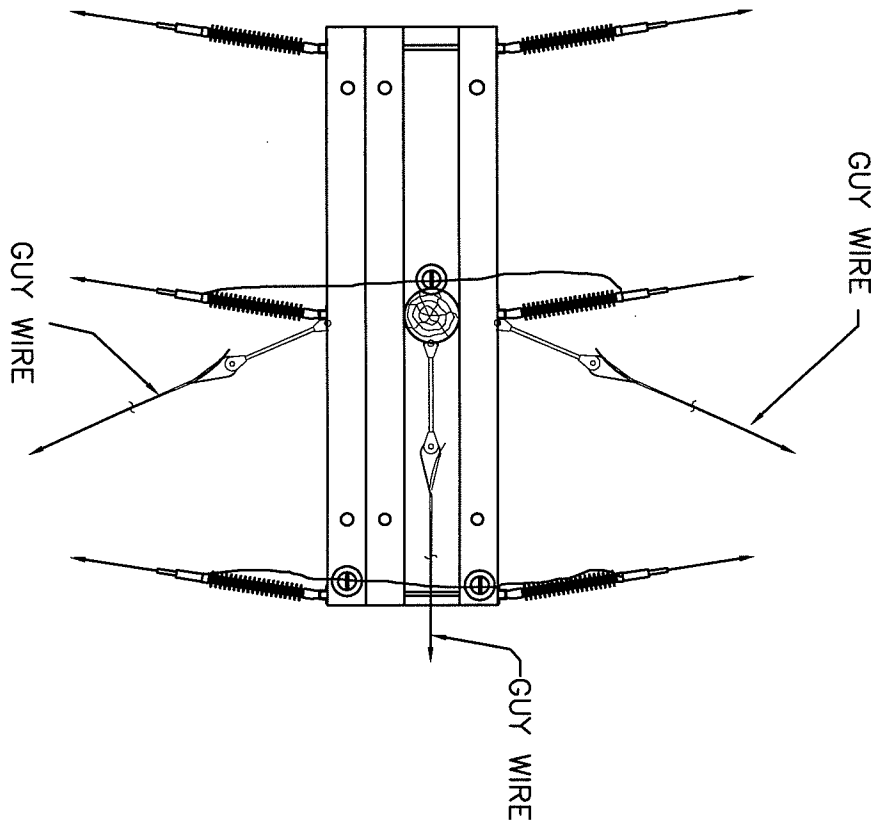
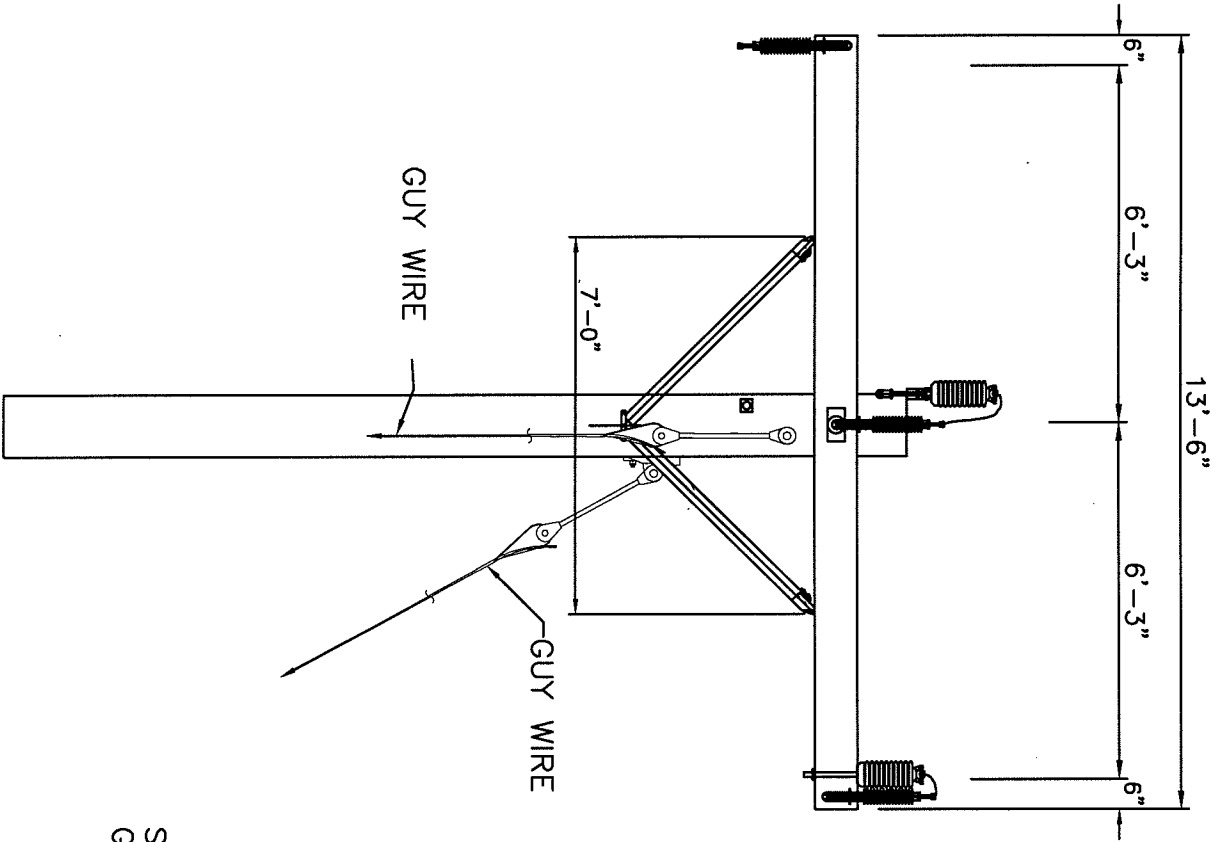
34.5 CONSTRUCTION SINGLE CIRCUIT
34.5 KV TANGENT WOOD POLE

SCALE: NTS
DATE: 6/20/08
DRAWING NUMBER: 34.5-SPSCSA-3.0
PLOT: 1=1

FILE: 34.5-SPSCSA-3.0.dwg

PROPRIETARY
This document is the property of Vermont Electric Power Co., Inc. and contains proprietary and confidential information which must not be duplicated, used or disclosed other than as expressly authorized by Vermont Electric Power Company, Inc.

Uteig



STRUCTURE FRAMING FOR:
 GMP-19, 42, 45, 48, 49,
 50, 51, 56, 61, 64,
 71, 72, 77, 79, 82,
 84

PLAN VIEW-TYPICAL

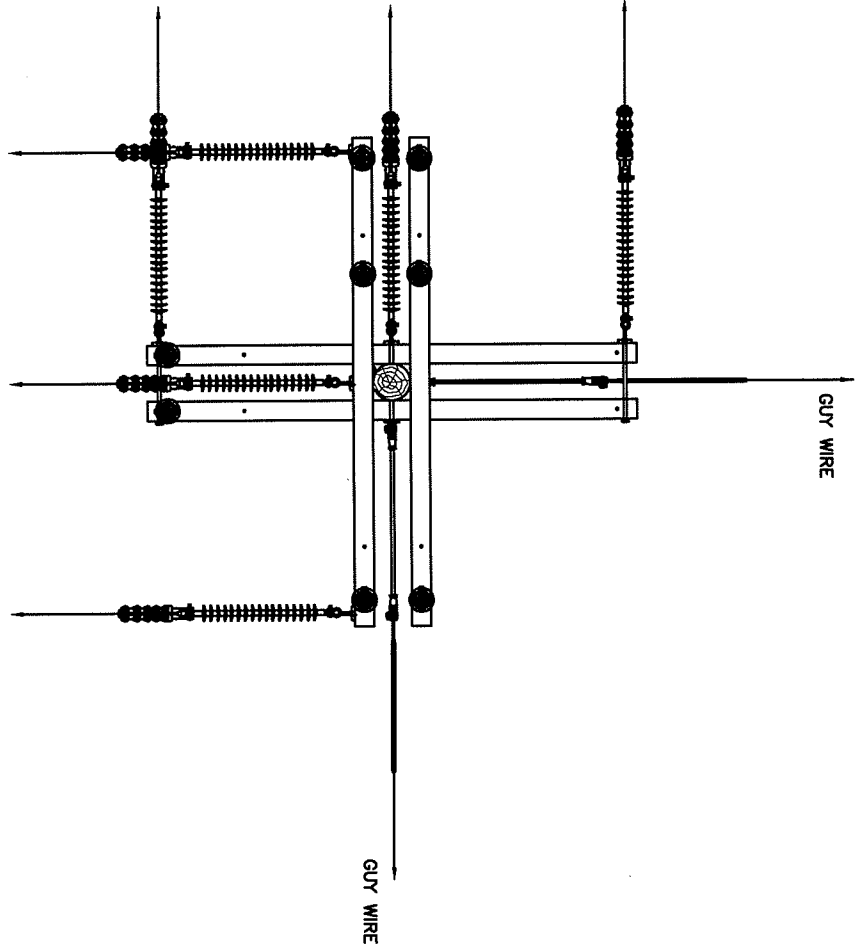
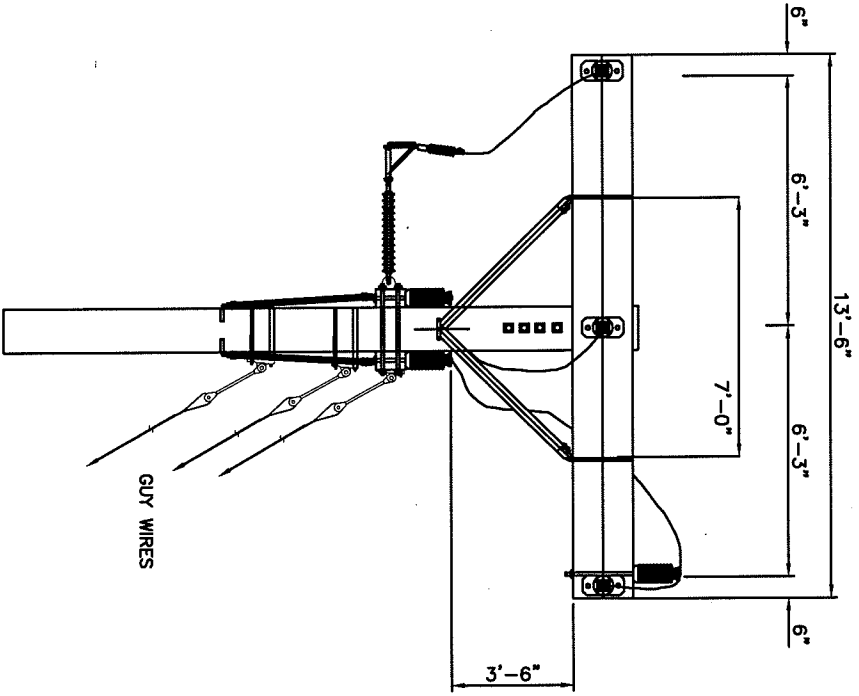
REV	DATE	DR	CHK	DESCRIPTION
B	7/09/08	BAH	AND	RE-ISSUED FOR PSB FILING
A	6/20/08	BAH	AND	ISSUED FOR PSB FILING

VERCO
 VERMONT ELECTRIC POWER CO., INC.
 RUTLAND, VERMONT
 LAMOILLE COUNTY

34.5 KV CONSTRUCTION SINGLE CIRCUIT
 34.5KV DOUBLE DEADEND WOOD POLE 0--40°

SCALE: NTS	DRAWN BY: BAH	CHECKED BY: AND	APPROVED BY:
DATE: 6/20/08			
DRAWING NUMBER: PLOT: 1=1	34.5-SPSCLA-4.0		
REV. B	DATE		

Uiteig
 PROPRIETARY
 This document is the property of
 Vermont Electric Power Company, Inc.
 and contains proprietary and confidential information
 which must not be duplicated, used or disclosed other
 than as expressly authorized by
 Vermont Electric Power Company, Inc.



PLAN VIEW-TYPICAL

STRUCTURE FRAMING FOR:
GMP-74, 83

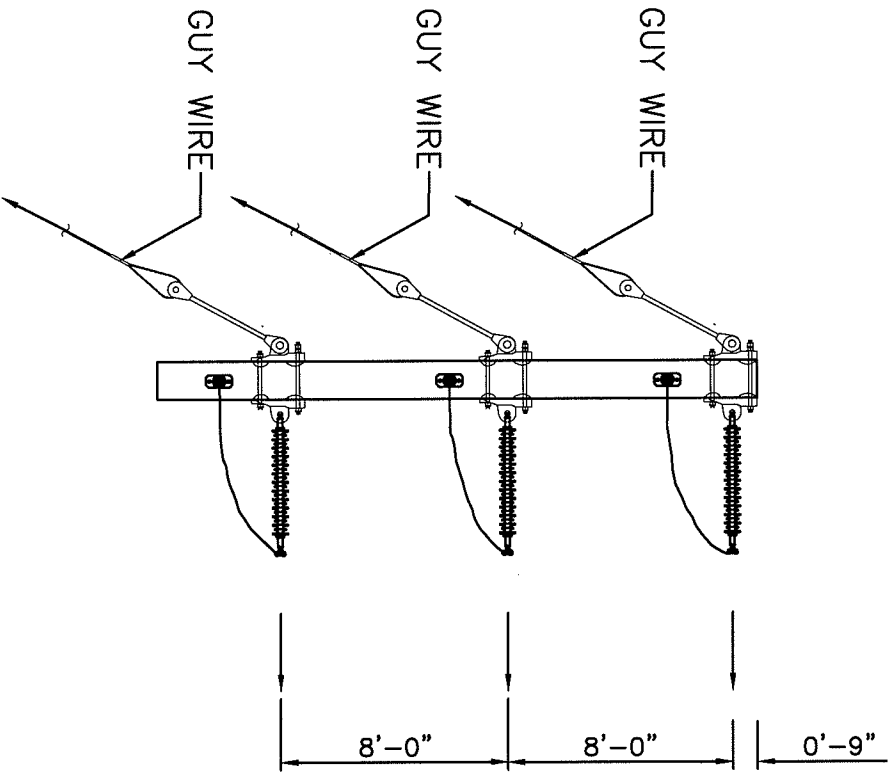
REV	DATE	DR	CK	DESCRIPTION
B	7/09/08	BJH	AAD	RE-ISSUED FOR PSB FILING
A	6/20/08	BJH	AAD	ISSUED FOR PSB FILING

VERCO
VERMONT ELECTRIC POWER CO., INC.
RUTLAND, VERMONT
LAMOILLE COUNTY PROJECT

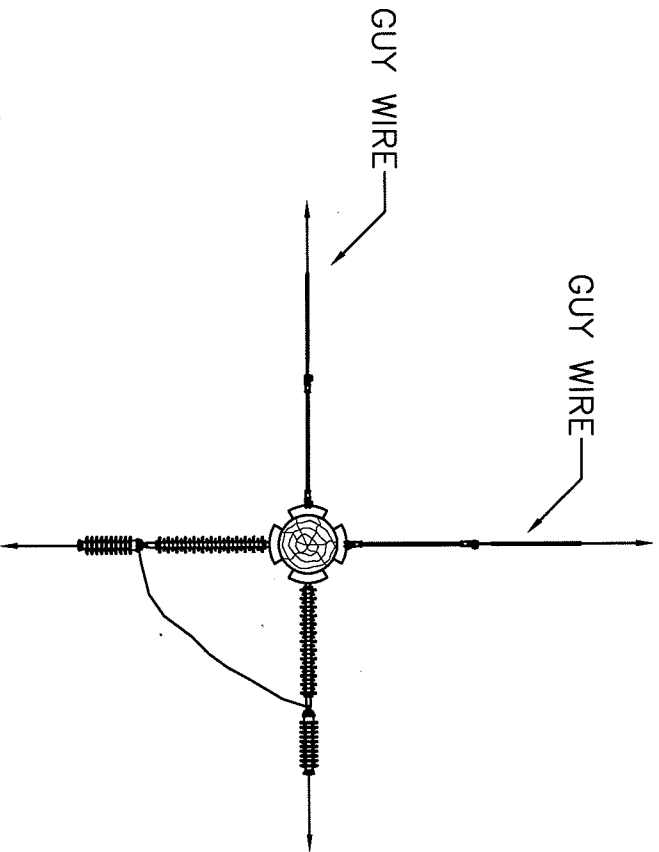
34.5 CONSTRUCTION SINGLE CIRCUIT
34.5KV DOUBLE DEADEND BUCKARM

SCALE: NTS	DRAWN BY: BJH	CHECKED BY: AAD	APPROVED BY:
DATE: 6/20/08			DATE
DRAWING NUMBER: 34.5-SPSCDE-5.0			REV: B

Uiteig
This document is the property of Vermont Electric Power Company, Inc. and contains proprietary and confidential information which must not be duplicated, used or disclosed other than as expressly authorized by Vermont Electric Power Company, Inc.



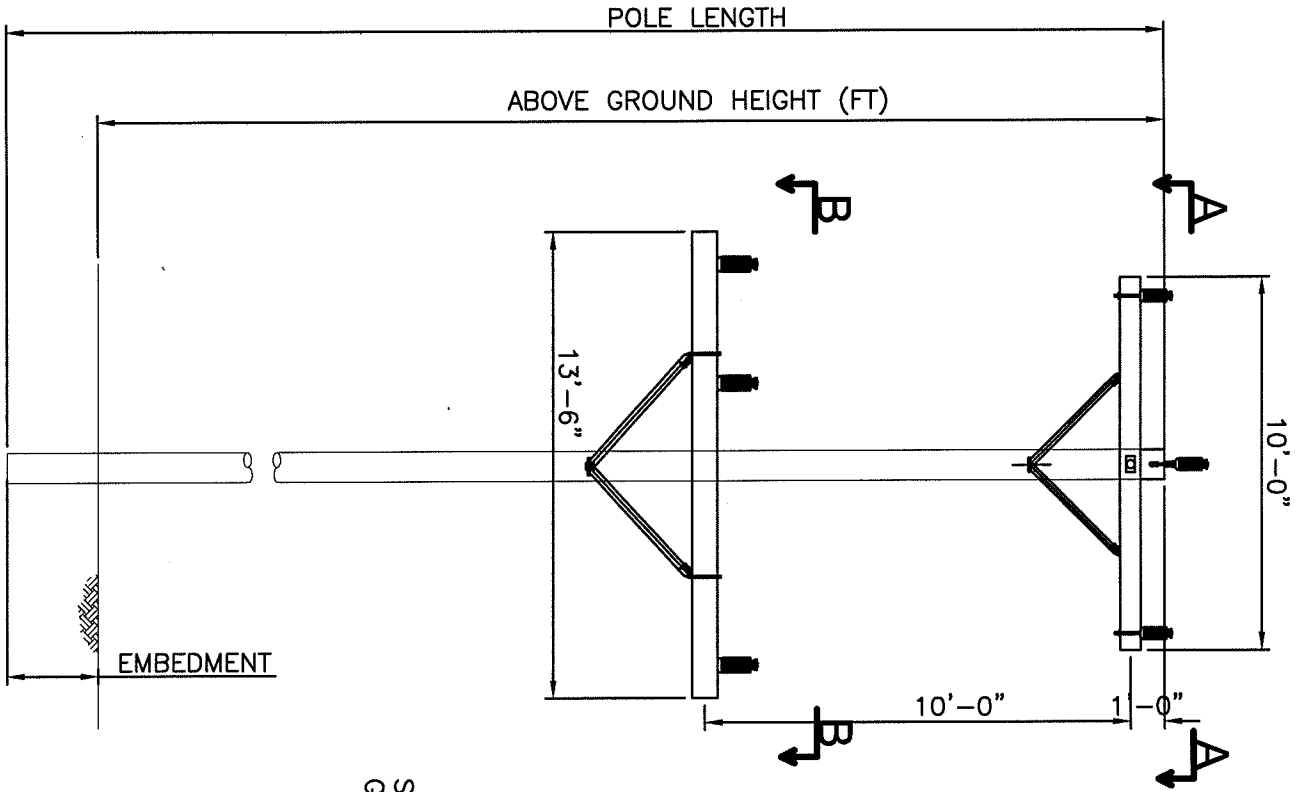
STRUCTURE FRAMING FOR:
GMP-54, 55, 62, 63



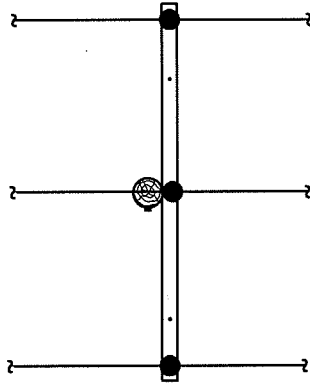
PLAN VIEW-TYPICAL

REV	DATE	DR	CK	DESCRIPTION
B	7/09/08	BJH	AAD	RE-ISSUED FOR PSB FILING
A	6/20/08	BJH	AAD	ISSUED FOR PSB FILING
REV	DATE	DR	CK	DESCRIPTION
<p>VERMONT ELECTRIC POWER CO., INC. RUTLAND, VERMONT LAMOILLE COUNTY PROJECT</p>				
<p>34.5 KV CONSTRUCTION SINGLE CIRCUIT 34.5KV VERTICAL DEADEND</p>				
SCALE:	NTS	DRAWN BY:	BJH	APPROVED BY:
DATE:	6/20/08	CHECKED BY:	AAD	
DRAWING NUMBER:	34.5-SPSCVDE-6.0			
REV.	B	DATE		
REV.				

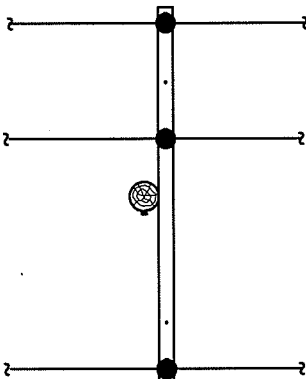
Uteig
 PROPRIETARY
 This document is the property of Vermont Electric Power Company, Inc. and contains proprietary and confidential information which must not be duplicated, used or disclosed other than as expressly authorized by Vermont Electric Power Company, Inc.



STRUCTURE FRAMING FOR:
 GMP-3, 4, 7, 8, 9, 12,
 15, 16, 19



VIEW A-A



VIEW B-B

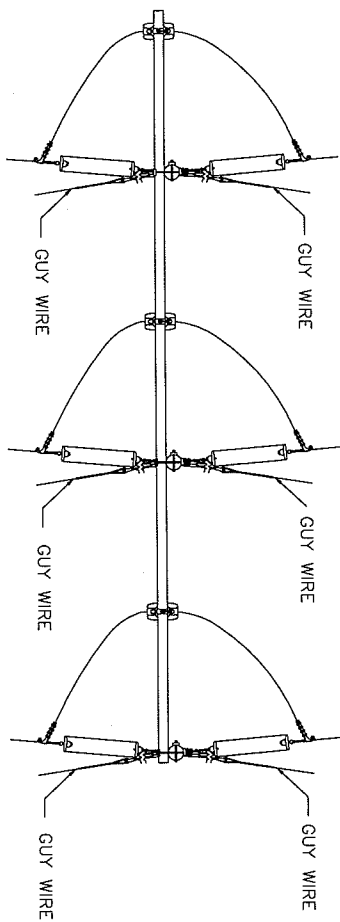
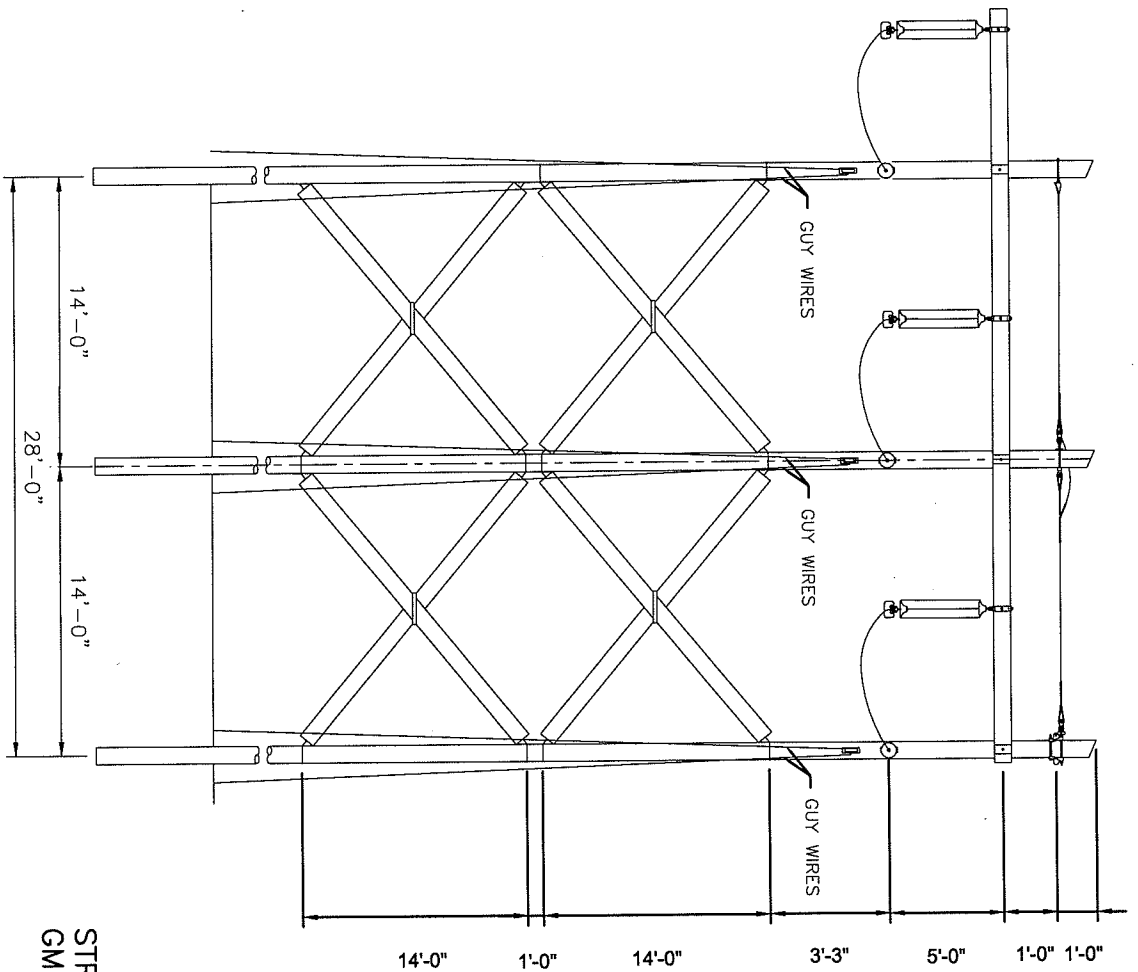
REV	DATE	DR	CHK	DESCRIPTION
B	7/09/08	AD	BH	RE-ISSUED FOR PSB FILING
A	6/20/08	AD	BH	ISSUED FOR PSB FILING



VERMONT ELECTRIC POWER CO., INC.
 RUTLAND, VERMONT
 LAMOILLE COUNTY PROJECT


SCALE: NTS	DRAWN BY: BH	CHECKED BY: AD	APPROVED BY:
DATE: 6/20/08			
DRAWING NUMBER:	34.5-SPDCT-7.0		
PLOT: 1=1			
REV.	B	DATE	

Uiteig
 PROPRIETARY
 This document is the property of Vermont Electric Power Company, Inc. and contains proprietary and confidential information which must not be duplicated, used or disclosed other than as expressly authorized by Vermont Electric Power Company, Inc.



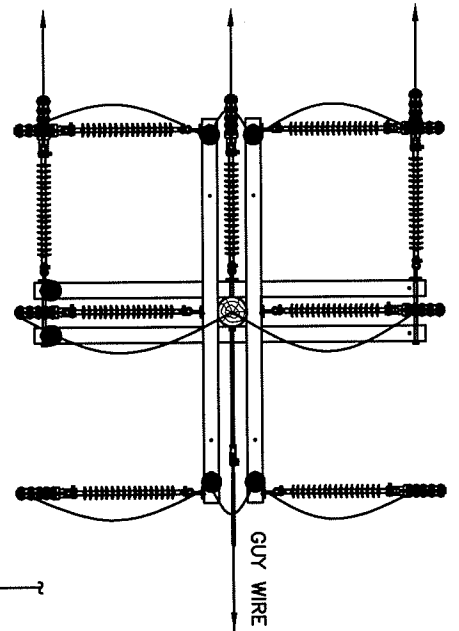
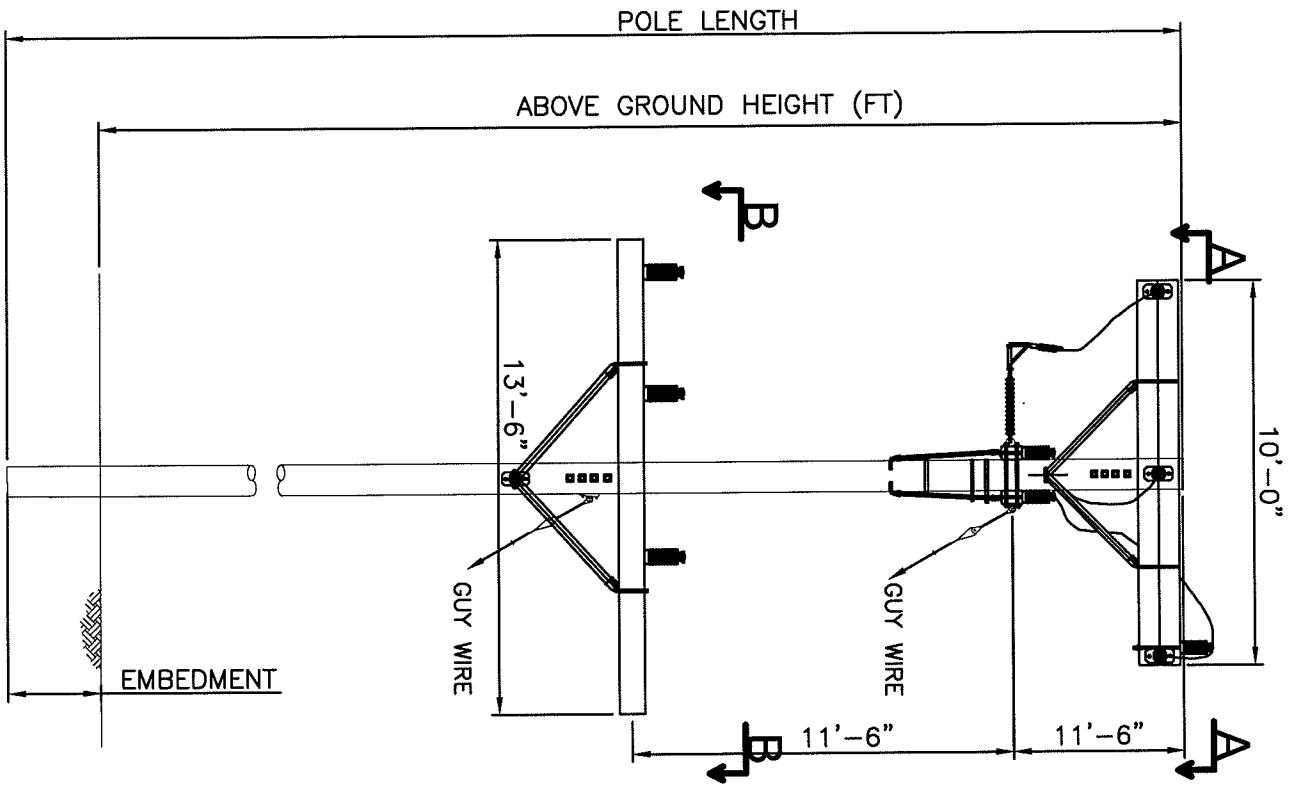
PLAN VIEW—CONDUCTOR

STRUCTURE FRAMING FOR:
GMP-80, 81

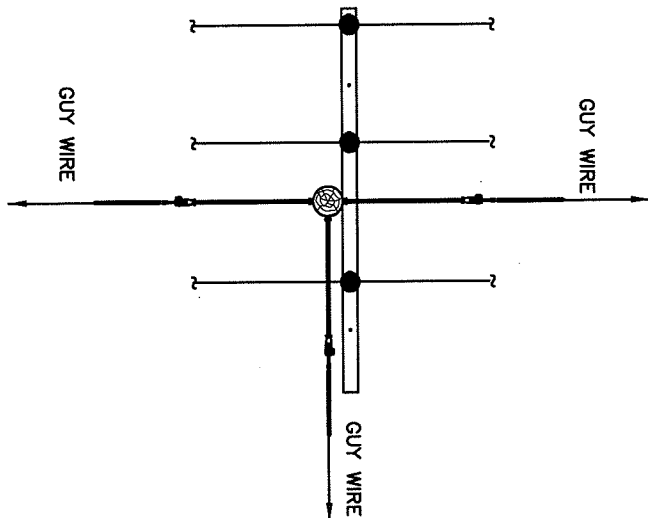
B	7/09/08	BAH	AAD	RE-ISSUED FOR PSB FILING
A	6/20/08	BAH	AAD	ISSUED FOR PSB FILING
REV	DATE	DR	CK	DESCRIPTION
 VERMONT ELECTRIC POWER CO., INC. RUTLAND, VERMONT LAMOILLE COUNTY PROJECT				
34.5KV CONSTRUCTION SINGLE CIRCUIT H-FRAME DEADEND STRUCTURE (0-5)				
SCALE: NTS	DRAWN BY: BAH	CHECKED BY: AAD	APPROVED BY:	DATE
DATE: 6/20/08				B
DRAWING NUMBER: 34.5-SCHFDE-8.0				REV.
PLOT: 1=1				

PROPRIETARY
 This document is the property of Vermont Electric Power Company, Inc. and contains proprietary and confidential information which must not be duplicated, used or disclosed other than as expressly authorized by Vermont Electric Power Company, Inc.

Ulteig



VIEW A-A



VIEW B-B

STRUCTURE FRAMING FOR:
GMP-17

REV	DATE	DR	CK	DESCRIPTION
B	7/06/08	AAD	BJH	RE-ISSUED FOR PSB FILING
A	6/20/08	AAD	BJH	ISSUED FOR PSB FILING

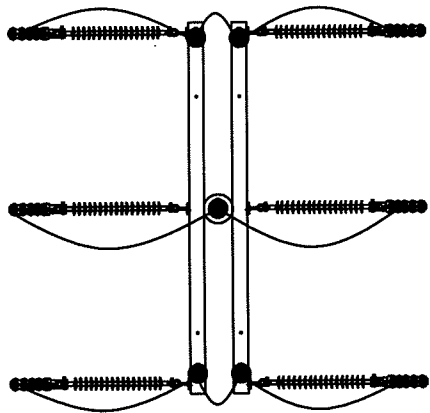
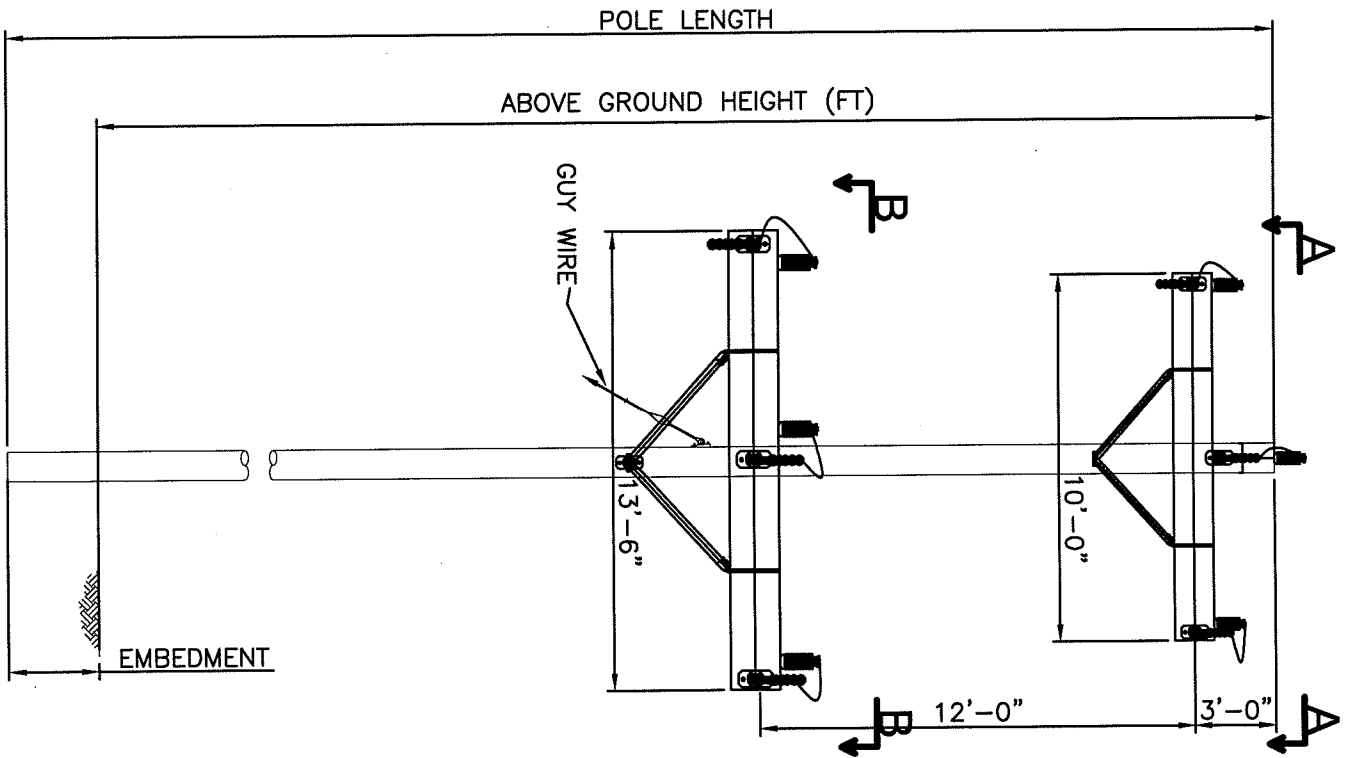


VERMONT ELECTRIC POWER CO., INC.
RUTLAND, VERMONT
LAMOILLE COUNTY PROJECT
34.5KV CONSTRUCTION DOUBLE CIRCUIT
34.5KV DEADEND WOOD POLE

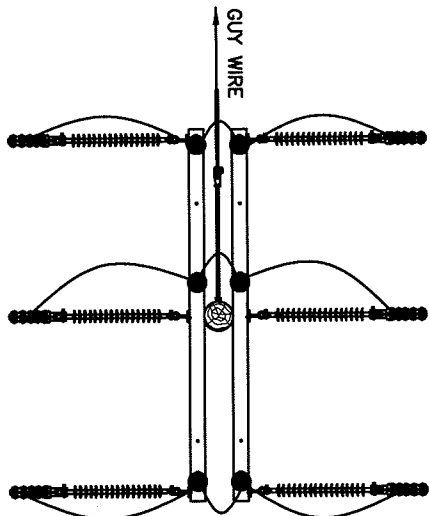
SCALE: NTS	DRAWN BY: BJH	CHECKED BY: AAD	APPROVED BY:
DATE: 6/20/08			
DRAWING NUMBER: 34.5-SPDCDE-TAP-10.0			
PLOT: 1=1			

PROPRIETARY
This document is the property of Vermont Electric Power Company, Inc. and contains proprietary and confidential information which must not be duplicated, used or disclosed other than as expressly authorized by Vermont Electric Power Company, Inc.

Uteig



VIEW A-A



VIEW B-B

STRUCTURE FRAMING FOR:
 GMP-1, 2, 5, 6, 10, 11,
 13, 14, 18, 20

NOTE: GUYING NOT USED ON:
 GMP-2, 5, 10

Uteig

PROPRIETARY
 This document is the property of Vermont Electric Power Company, Inc. and contains proprietary and confidential information which must not be duplicated, copied or disclosed other than as expressly authorized by Vermont Electric Power Company, Inc.

REV	DATE	DR	CK	DESCRIPTION
B	7/06/08	AUD	BJH	RE-ISSUED FOR PSB FILING
A	6/20/08	AUD	BJH	ISSUED FOR PSB FILING

SCALE: NTS	DRAWN BY: BJH	APPROVED BY:
DATE: 6/20/08	CHECKED BY: AUD	DATE
DRAWING NUMBER: 34.5-SPDCDE-11.0	REV. B	
PLOT: 1=1		

VERGO	VERMONT ELECTRIC POWER CO., INC.
	RUTLAND, VERMONT
	LAMOILLE COUNTY PROJECT
	34.5KV CONSTRUCTION DOUBLE CIRCUIT
	34.5KV DEADEND WOOD POLE