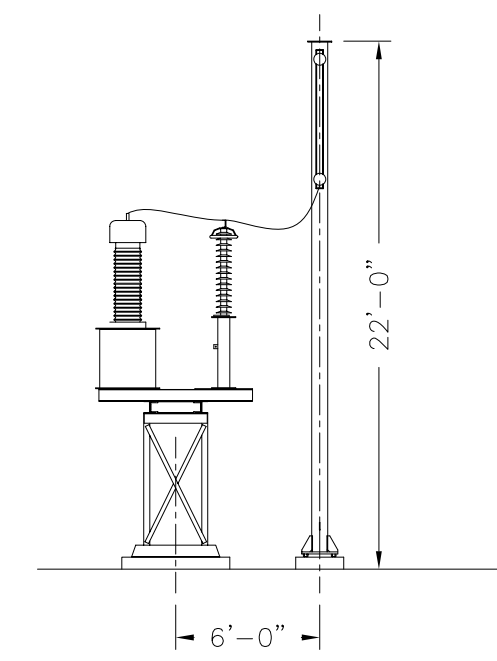


SECTION C-C



SECTION D-D

PRELIMINARY
NOT FOR CONSTRUCTION

2	07.27.06	PEI	PEI	ISSUED FOR PERMIT
1	07.05.06	PEI	PEI	ISSUED FOR PERMIT
REV	DATE	DR	CK	DESCRIPTION
				VERMONT ELECTRIC POWER CO., INC. RUTLAND, VERMONT MIDDLESEX SUBSTATION
				GENERAL ARRANGEMENT SECTIONS MORETOWN, VERMONT
SCALE: 1/8" = 1'		DRAWN BY: PEI		APPROVED BY:
DATE: 07-03-06		CHECKED BY:		DATE
DRAWING NUMBER:		209-6021D		4
PLOT: 1=1				REV.

FILE: F:\209\CIVIL\2096021D